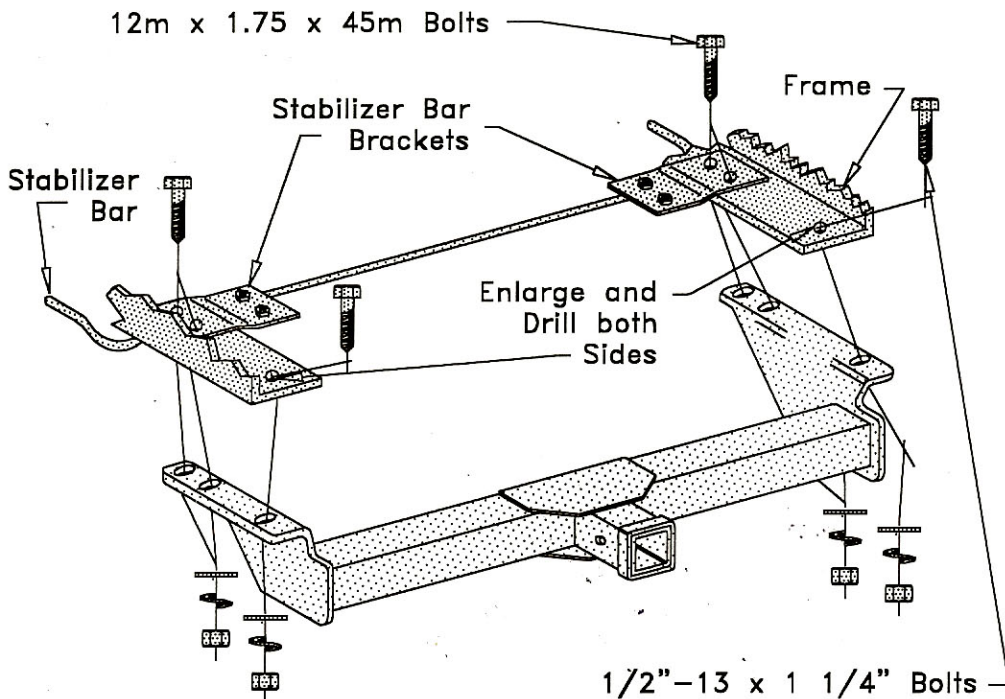


24003



INSTALLATION INSTRUCTIONS

1. Remove 12m bolts and nuts from stabilizer bar brackets and return to customer.
2. Align holes in stabilizer bar brackets with holes in hitch, mount to bottom of frame using 12m bolts provided as shown in fig. 1.
3. Drill forward holes to 1/2" by using hitch as a template.
4. Torque all bolts to 75 ft. lbs.

HARDWARE LIST

- 2 - 1/2"-13 x 1 1/4" Bolts
- 4 - 12m x 1.75 x 45m Bolts
- 2 - 1/2" Lock Washers
- 2 - 1/2" Flat Washers
- 4 - 12m Lock Washers
- 4 - 12m Flat Washers
- 2 - 1/2"-13 Nuts
- 4 - 12m x 1.75 Nuts

FIT LIST

- 1992-1997 Ford F-250 HD(2WD Gas Eng.)
- 1992-1997 Ford F-350 HD(2WD Gas Eng.)

****WARNING: ALTHOUGH THIS HITCH IS DESIGNED TO SAFELY CARRY THE LOADS SPECIFIED, UNDER NO CIRCUMSTANCES DO WE RECOMMEND EXCEEDING THE TOWING VEHICLE MANUFACTURER'S RECOMMENDED TOWING CAPABILITIES. ALWAYS USE SAFETY CHAINS AND TRAVEL AT A SAFE SPEED.**

