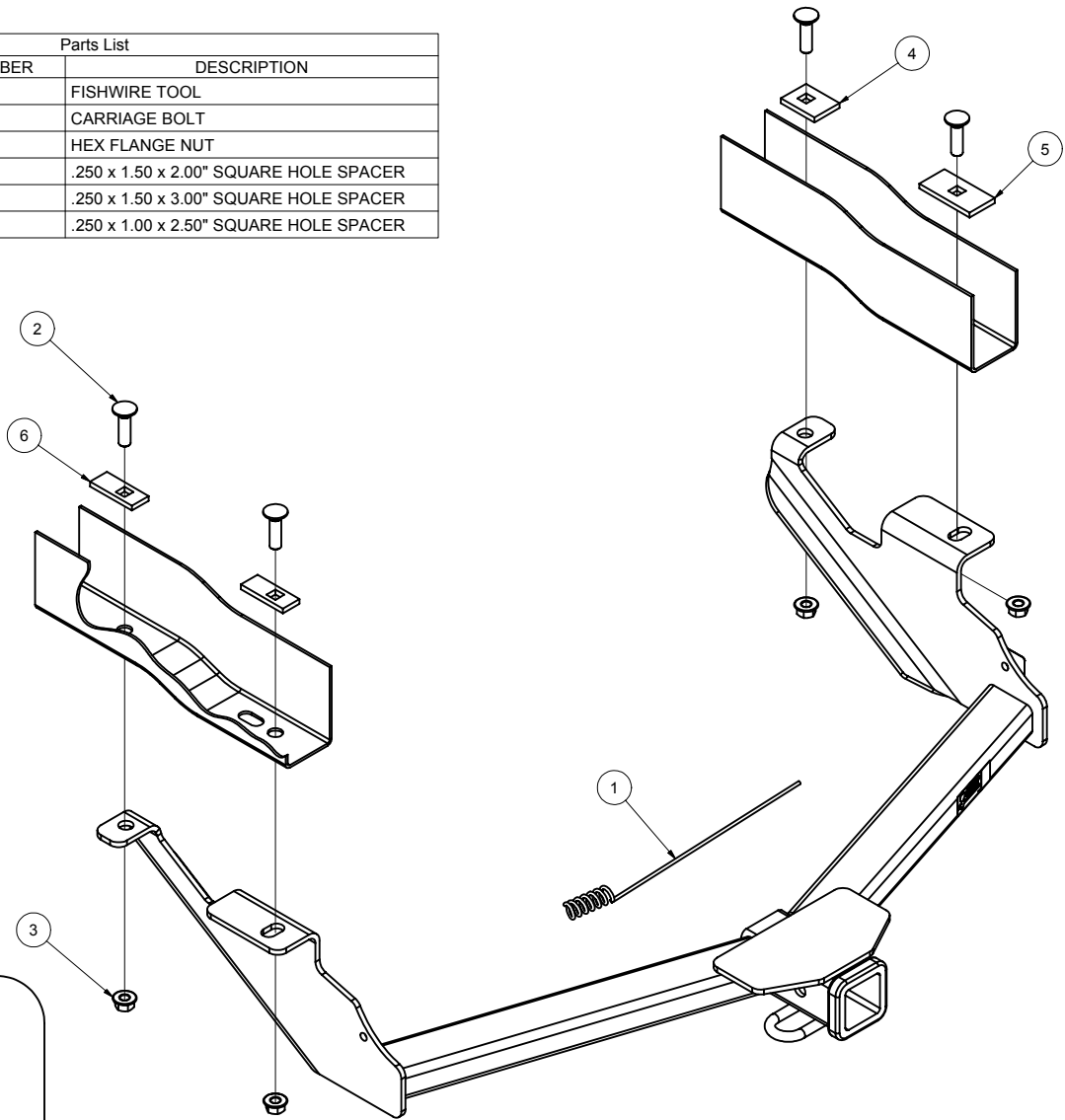


GROSS LOAD CAPACITY WHEN USED AS A WEIGHT CARRYING HITCH: 3500 LBS. TRAILER WEIGHT & 350 LBS. TONGUE WEIGHT.  
**\*\*\*DO NOT EXCEED VEHICLE MANUFACTURER'S RECOMMENDED TOWING CAPACITY.\*\*\***

Parts List			
ITEM	QTY	PART NUMBER	DESCRIPTION
1	1	1/2"	FISHWIRE TOOL
2	4	1/2-13 x 1 3/4	CARRIAGE BOLT
3	4	1/2 - 13	HEX FLANGE NUT
4	1	CM-SP1	.250 x 1.50 x 2.00" SQUARE HOLE SPACER
5	1	CM-SP4	.250 x 1.50 x 3.00" SQUARE HOLE SPACER
6	2	CM-SP10	.250 x 1.00 x 2.50" SQUARE HOLE SPACER



HITCH WEIGHT: 32 LBS.  
 INSTALL TIME: 30 MINUTES  
 INSTALL NOTES:  
 ENLARGE HOLES  
 FISHWIRE FASTENERS

**INSTALLATION STEPS**

- 1) Fishwire two spacers and carriage bolts through end of passenger side frame rail and out existing frame holes.
- 2) Enlarge access hole on driver side frame rail for installation of hardware as shown.
- 3) Fishwire two large spacers and carriage bolts through enlarged access hole on driver side frame rail and out existing frame holes.
- 4) Raise hitch into position and secure with flange nuts.
- 5) Torque all 1/2" fasteners to 75 lb-ft.

**PERIODICALLY CHECK THIS RECEIVER HITCH TO INSURE THAT ALL FASTENERS ARE TIGHT AND THAT ALL STRUCTURAL COMPONENTS ARE SOUND.**

Curt Manufacturing Inc., warrants this product to be free of defects in material and/or workmanship at the time of retail purchase by the original purchaser. If the product is found to be defective, Curt Manufacturing Inc., may repair or replace the product, at their option, when the product is returned, prepaid, with proof of purchase. Alteration to, misuse of, or improper installation of this product voids the warranty. Curt Manufacturing Inc.'s liability is limited to repair or replacement of products found to be defective, and specifically excludes liability for incidental or consequential loss or damage.